

NOTE! EPDM washer has to be taken away from screw (501-1).

Code	Description
<input checked="" type="checkbox"/> 201	Wall panels TENAX W H
<input type="checkbox"/> 401-1	Sealing tape, one-side self adhering, thickness t=3 mm, width b=30 mm
<input type="checkbox"/> 501-1	Screws for panel fastening, self-drilling, for steel structures with web thickness up to 12 mm (c/c ≤ 500 mm)
<input type="checkbox"/> 502-1	Screws for panel fastening, for timber structures (c/c ≤ 500 mm)
<input type="checkbox"/> 503-1	Screws for panel fastening, for concrete structures (c/c ≤ 500 mm)
<input checked="" type="checkbox"/>	Included in the supply



"TENAXPANEL" Ltd  
Spodribas street 1, Dobele, LV-3701, Latvia  
Phone: +371 63720957

Detail number:  
**SP-480-1-en**

Detail name:

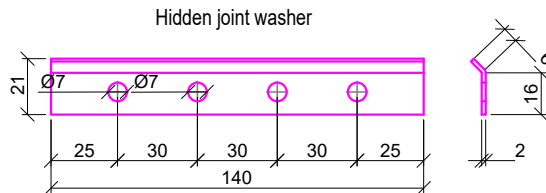
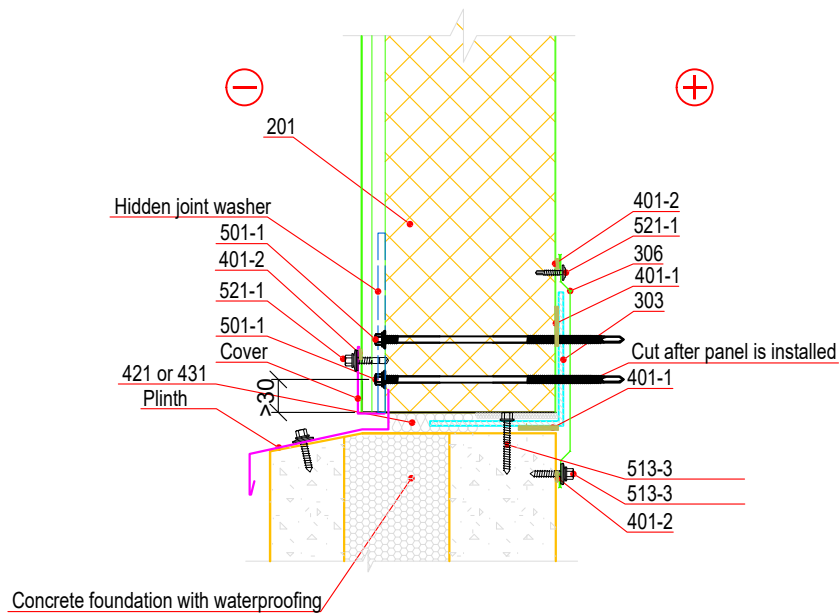
TENAX W H.  
Vertical assembly.

Detail type:

Wall

Scale:  
1:5

Date:  
January 2019



NOTE! EPDM washer has to be taken away from screw (501-1).

Code	Description
<input checked="" type="checkbox"/> 201	Wall panels TENAX W H
<input type="checkbox"/> 303	Support profile, UL
<input type="checkbox"/> 306	Butt joint flashing for wall panels, AF
<input type="checkbox"/> 401-1	Sealing tape, one-side self adhering, thickness t=3 mm, width b=30 mm
<input type="checkbox"/> 401-2	Sealing tape, one-side self adhering, thickness t=3 mm, width b=9 mm
<input type="checkbox"/> 421	Mineral wool, in strips
<input type="checkbox"/> 431	Installation foam
<input type="checkbox"/> 501-1	Screws for panel fastening, self-drilling, for steel structures with web thickness up to 12 mm (c/c ≤ 500 mm)
<input type="checkbox"/> 513-3	Screws for fixing of details to concrete structure (c/c ≤ 500 mm)
<input type="checkbox"/> 521-1	Screws for fixing of flashings to panels (c/c ≤ 500 mm)

- Included in the supply
- (a) For steel structures with web thickness t>12mm predrill holes for screw (501) fixing
- (b) The given support width can vary depending on wind loads



"TENAXPANEL" Ltd  
Spodribas street 1, Dobele, LV-3701, Latvia  
Phone.:+371 63720957

Detail number:  
SP-481-1-en

Detail name:

TENAX W H. Vertical assembly.  
Fixing to concrete foundation.

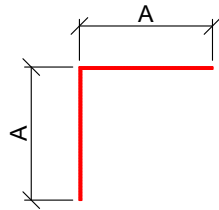
Detail type:

Wall

Scale:  
1:5

Date:  
January 2019

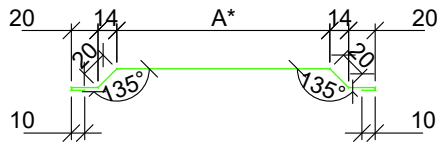
Code	Description
303	Support profile, UL



Steel sheet thickness: 1.5 - 3 mm  
 Coating: Zinc Z275  
 Length: 3,0 m

A	50	75	100	125	150	200
Steel sheet width	100	150	200	250	300	400

Code	Description
306	Butt joint flashing for wall panels, AF



Steel sheet thickness 0,5; 0,6 mm  
 Coating: the same as panel coating  
 Length: 2,4 m

A*	80	120	160
Steel sheet width	180	220	260

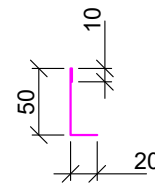
\* Other widths possible by individual request

Code	Description
-	Plinth



Steel sheet thickness 0,5; 0,6 mm  
 Coating: the same as panel coating  
 Length: 2,4 m  
 Measures vary depending on the foundation!

Code	Description
-	Cover



Steel sheet thickness 0,5; 0,6 mm  
 Coating: the same as panel coating  
 Length: 2,4 m

\* Other widths possible by individual request

Copyright of TENAXPANEL Ltd. allowed to be used only for installation of products manufactured by TENAXPANEL Ltd. Designer is responsible for any changes in details!

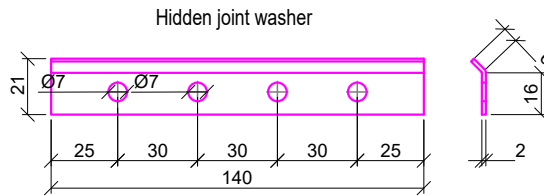
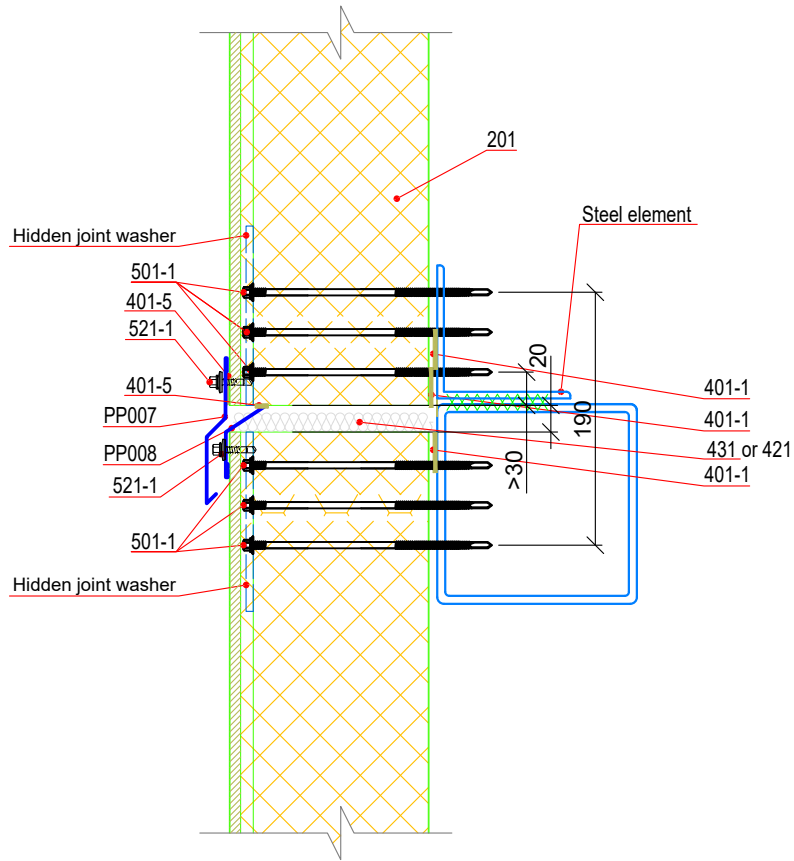


"TENAXPANEL" Ltd  
 Spodribas street 1, Dobele, LV-3701, Latvia  
 Phone: +371 63720957

Detail number:  
 SP-481-1-en

Detail name:  
 TENAX W.H. Vertical assembly.  
 Fixing to concrete foundation (Flashings).

Detail type:	Scale:	Date:
Wall	1:5	January 2019



NOTE! EPDM washer has to be taken away from screw (501-1).

Code	Description
<input checked="" type="checkbox"/> 201	Wall panels TENAX W H
<input type="checkbox"/> 401-1	Sealing tape, one-side adhering, thickness t=3 mm, width b=30 mm
<input type="checkbox"/> 401-2	Sealing tape, one-side self adhering, thickness t=3 mm, width b=9 mm
<input type="checkbox"/> 401-5	Acrylic sealing tape, b=60mm
<input type="checkbox"/> 411-1	Construction sealant (neutral) (Outside neutral silicone/inside butil sealant, white color)
<input type="checkbox"/> 421	Mineral wool, in strips
<input type="checkbox"/> 431	Installation foam
<input type="checkbox"/> 501-1	Screws for panel fastening, self-drilling, for steel structures with web thickness up to 12 mm (c/c ≤ 500 mm)
<input type="checkbox"/> 521-1	Screws for fixing of flashings to panels (c/c ≤ 500 mm)

Included in the supply

- (a) For steel structures with web thickness t>12mm predrill holes for screw (501) fixing  
 (b) The given support width can vary depending on wind loads



"TENAXPANEL" Ltd  
 Spodriibas street 1, Dobele, LV-3701, Latvia  
 Phone.:+371 63720957

Detail number:  
 SP-482-1-en

Detail name:

TENAX W H. Vertical assembly.  
 Dilatation joint in vertical installation.

Detail type:

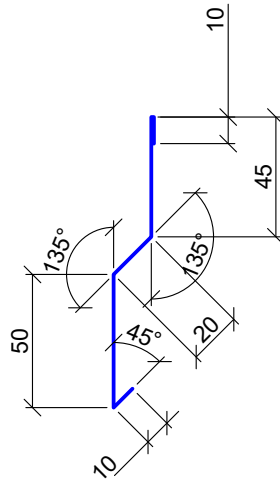
Wall

Scale:  
 1:5

Date:  
 January 2019

## PP007

Color 



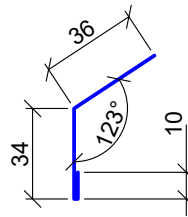
Steel sheet thickness 0,5; 0,6 mm  
Coating: the same as panel coating  
Length: 2,4 m

Steel sheet width 135

\* Other widths possible by individual request

## PP008

Color 



Steel sheet thickness 0,5; 0,6 mm  
Coating: the same as panel coating  
Length: 2,4 m

Steel sheet width 80

\* Other widths possible by individual request



"TENAXPANEL" Ltd  
Spodribas street 1, Dobele, LV-3701, Latvia  
Phone.:+371 63720957

Detail number:  
SP-482-1-en

Detail name:

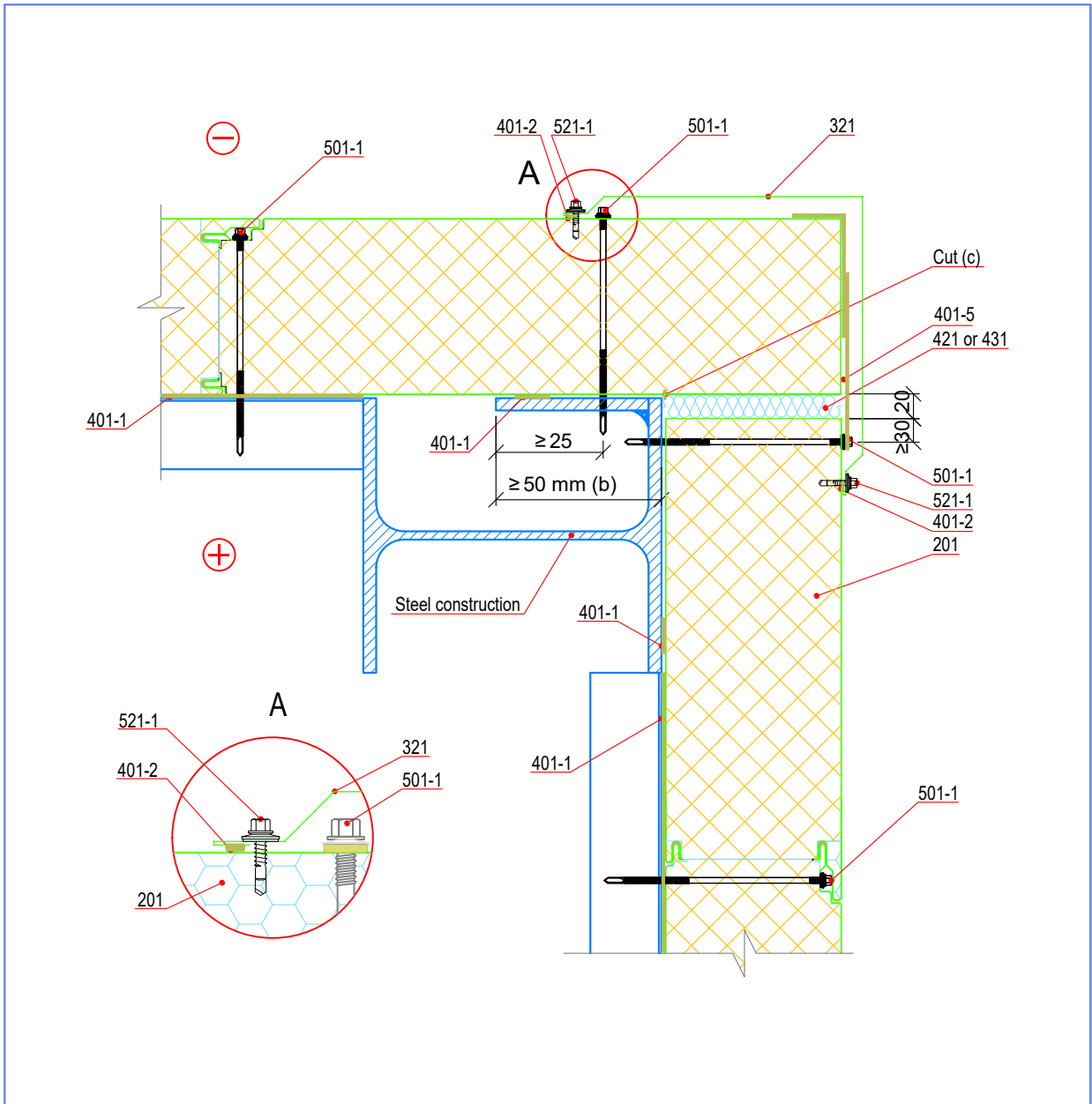
TENAX W.H. Vertical assembly.  
Dilatation joint in vertical installation (Flashings).

Detail type:

Wall

Scale:  
1:2.5



Date:  
January 2019



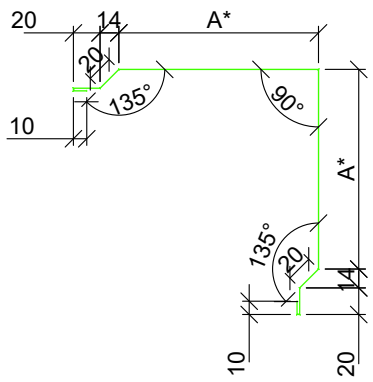
Code	Description
<input checked="" type="checkbox"/> 201	Wall panels TENAX W H
<input type="checkbox"/> 321	External corner flashing, CF
<input type="checkbox"/> 401-1	Sealing tape, one-side self adhering, thickness t=3 mm, width b=30 mm
<input type="checkbox"/> 401-2	Sealing tape, one-side self adhering, thickness t=3 mm, width b=9 mm
<input type="checkbox"/> 401-5	Acrylic sealing tape, b=150mm x 2
<input type="checkbox"/> 421	Mineral wool, in strips
<input type="checkbox"/> 431	Installation foam
<input type="checkbox"/> 501-1	Screws for panel fastening, self-drilling, for steel structures with web thickness up to 12 mm (c/c ≤ 500 mm)
<input type="checkbox"/> 521-1	Screws for fixing of flashings to panels (c/c ≤ 500 mm)

- Included in the supply
- (a) For steel structures with web thickness  $t > 12$  mm predrill holes for screw (501) fixing
- (b) The given support width can vary depending on wind loads
- (c) Cut for thermal break at the distance from panel end equal to panel thickness

Copyright of TENAXPANEL Ltd. allowed to be used only for installation of products manufactured by TENAXPANEL Ltd. Designer is responsible for any changes in details!

 	"TENAXPANEL" Ltd Spodribas street 1, Dobeles, LV-3701, Latvia Phone: +371 63720957	Detail name: TENAX W H. Vertical assembly. Fixing to steel column at external corner - Option 1.		
	Detail number: <b>SP-483-1-en</b>	Detail type: Wall	Scale: 1:5	Date: January 2019

Code	Description
321	External corner flashing, CF



Steel sheet thickness 0,5; 0,6 mm  
 Coating: the same as panel coating  
 Length: 2,4 m

Panel thickness	50	80	100	120	150	175	200	240	300
A*	120	150	170	190	220	245	270	310	370
Steel sheet width	304	364	404	444	504	554	604	684	804

\* Other widths possible by individual request

Copyright of TENAXPANEL Ltd. allowed to be used only for installation of products manufactured by TENAXPANEL Ltd. Designer is responsible for any changes in details!

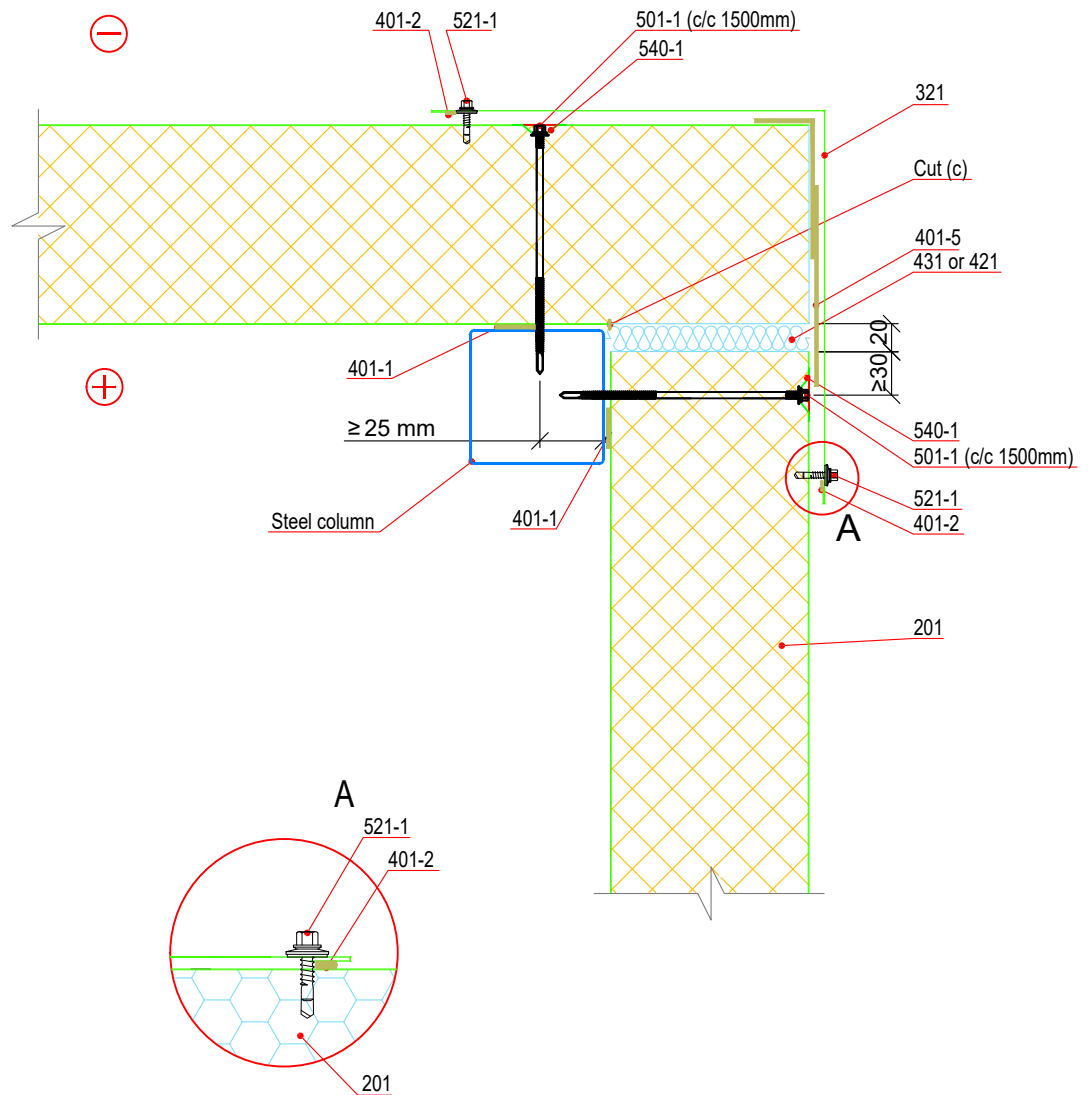


"TENAXPANEL" Ltd  
 Spodribas street 1, Dobeles, LV-3701, Latvia  
 Phone: +371 63720957

Detail number:  
 SP-483-1-en

Detail name:  
 TENAX W H. Vertical assembly.  
 Fixing to steel column at external corner - Option 1 (Flashings).

Detail type: Wall	Scale: 1:5	Date: January 2019
----------------------	---------------	-----------------------



NOTE! EPDM washer has to be taken away from screw.

Code	Description
<input checked="" type="checkbox"/> 201	Wall panels TENAX W H
<input type="checkbox"/> 321	CFH, Corner flashing
<input type="checkbox"/> 401-1	Sealing tape, one-side self adhering, thickness $t=3$ mm, width $b=30$ mm
<input type="checkbox"/> 401-2	Sealing tape, one-side self adhering, thickness $t=3$ mm, width $b=9$ mm
<input type="checkbox"/> 401-5	Acrylic sealing tape $b=150$ mm x 2
<input type="checkbox"/> 421	Mineral wool, in strips
<input type="checkbox"/> 431	Installation foam
<input type="checkbox"/> 501-1	Screws for panel fastening, self-drilling, for steel structures with web thickness up to 12 mm ( $c/c \leq 500$ mm)
<input type="checkbox"/> 521-1	Screws for fixing of flashings to panels ( $c/c \leq 500$ mm)
<input type="checkbox"/> 540-1	Hidden washer for sandwich screw
<input checked="" type="checkbox"/>	Included in the supply

- (a) For steel structures with web thickness  $t > 12$ mm predrill holes are needed for screw (501) fixing  
 (b) Given support width can vary depending on wind loads  
 (c) Cut for thermal break at the distance from panel end equal to panel thickness

Copyright of TENAXPANEL Ltd. allowed to be used only for installation of products manufactured by TENAXPANEL Ltd. Designer is responsible for any changes in details!



"TENAXPANEL" Ltd  
 Spodribas street 1, Dobeles, LV-3701, Latvia  
 Phone: +371 63720957

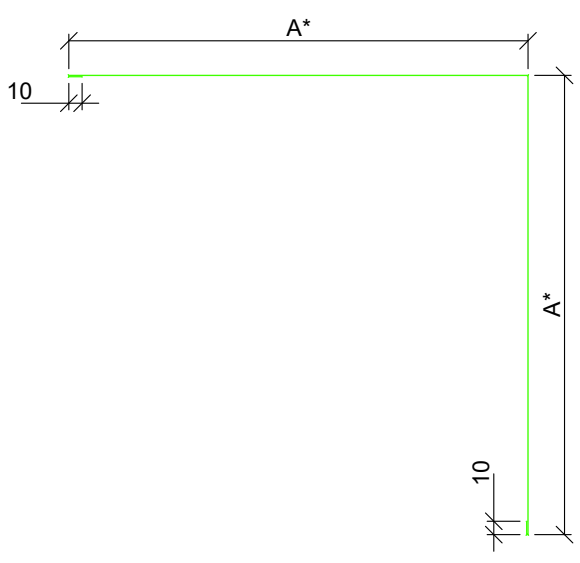
Detail number:  
 SP-483-2-en

Detail name:  
 TENAX W H. Vertical assembly.  
 Fixing to steel column at external corner - Option 2.

Detail type: Wall	Scale: 1:5	Date: January 2019
----------------------	---------------	-----------------------



Code	Description
321	CFH, Corner flashing

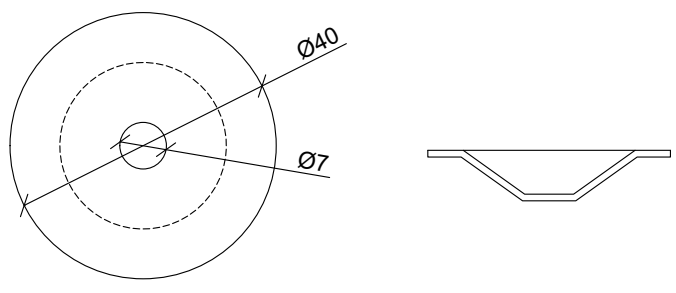


Steel sheet thickness 0,5; 0,6 mm  
 Coating: the same as panel coating  
 Length: 2,4 m

Panel thickness	50	80	100	120	150	175	200	220	240
A*	120	150	170	190	220	245	270	220	310
Steel sheet width	300	360	400	440	500	550	600	640	680

\* Other widths possible by individual request

Code	Description
540-1	Hidden washer for sandwich screw



Copyright of TENAXPANEL Ltd. allowed to be used only for installation of products manufactured by TENAXPANEL Ltd. Designer is responsible for any changes in details!

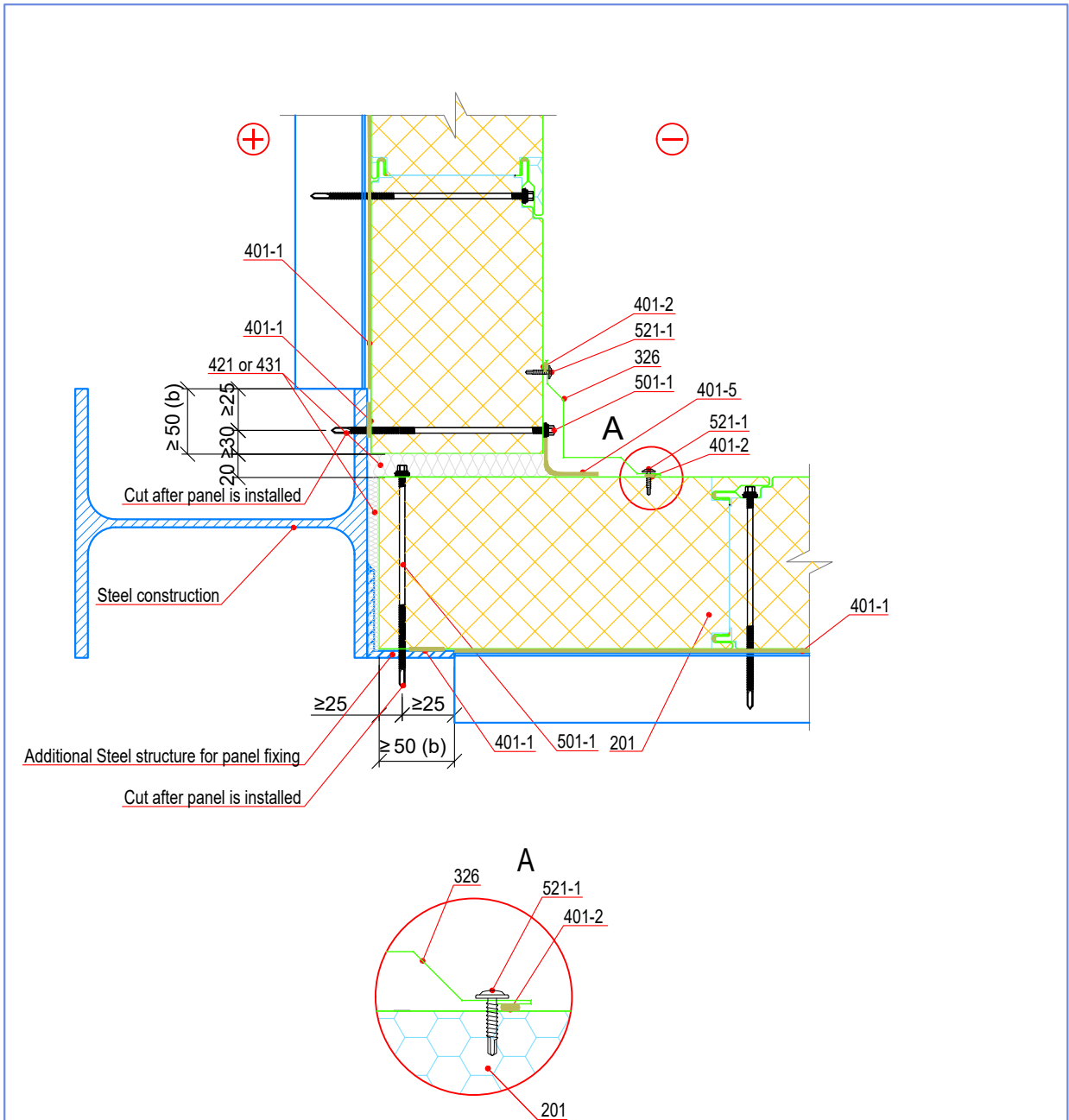


"TENAXPANEL" Ltd  
 Spodribas street 1, Dobeles, LV-3701, Latvia  
 Phone: +371 63720957

Detail number:  
**SP-483-2-en**

Detail name:  
 TENAX W H. Vertical assembly.  
 Fixing to steel column at external corner - Option 2 (Flashings).

Detail type: Wall	Scale: 1:5	Date: January 2019
----------------------	---------------	-----------------------



Code	Description
<input checked="" type="checkbox"/> 201	Wall panels TENAX W H
<input type="checkbox"/> 326	Internal corner flashing, IF
<input type="checkbox"/> 401-1	Sealing tape, one-side self adhering, thickness t=3 mm, width b=30 mm
<input type="checkbox"/> 401-2	Sealing tape, one-side self adhering, thickness t=3 mm, width b=9 mm
<input type="checkbox"/> 401-5	Acrylic sealing tape, b=60mm
<input type="checkbox"/> 421	Mineral wool, in strips
<input type="checkbox"/> 431	Installation foam
<input type="checkbox"/> 501-1	Screws for panel fastening, self-drilling, for steel structures with web thickness up to 12 mm (c/c ≤ 500 mm)
<input type="checkbox"/> 521-1	Screws for fixing of flashings to panels (c/c ≤ 500 mm)

- Included in the supply
- (a) For steel structures with web thickness >12mm predrill holes for screw (501) fixing
- (b) The given support width can vary depending on wind loads

Copyright of TENAXPANEL Ltd. allowed to be used only for installation of products manufactured by TENAXPANEL Ltd. Designer is responsible for any changes in details!



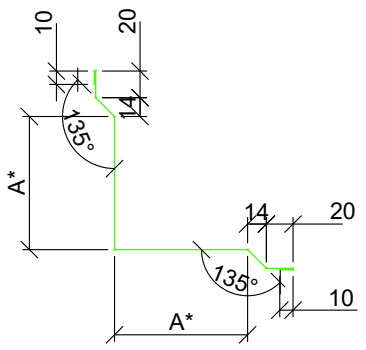
"TENAXPANEL" Ltd  
Spodribas street 1, Dobele, LV-3701, Latvia  
Phone: +371 63720957

Detail number:  
**SP-484-1-en**

Detail name:  
TENAX W H. Vertical assembly. Fixing to steel column at internal corner.

Detail type: Wall	Scale: 1:5	Date: January 2019
----------------------	---------------	-----------------------

Code	Description
326	Internal corner flashing, IF





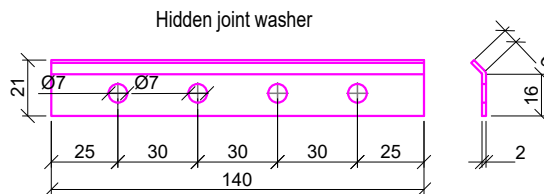
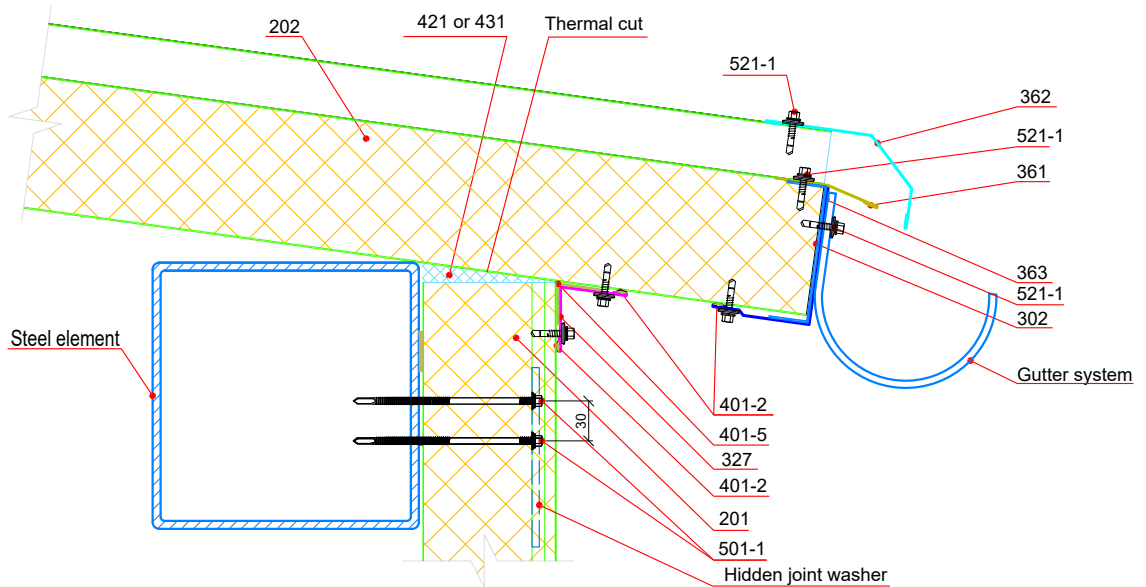
Steel sheet thickness 0,5; 0,6 mm  
 Coating: the same as panel coating  
 Length: 2,4 m

A*	50	100	150
Steel sheet width	200	300	400

\* Other widths possible by individual request

Copyright of TENAXPANEL Ltd. allowed to be used only for installation of products manufactured by TENAXPANEL Ltd. Designer is responsible for any changes in details!

 	"TENAXPANEL" Ltd Spodribas street 1, Dobele, LV-3701, Latvia Phone.:+371 63720957	Detail name: TENAX W H. Vertical assembly. Fixing to steel column at internal corner (Flashings).		
	Detail number: SP-484-1-en	Detail type: Wall	Scale: 1:5	Date: January 2019



NOTE! EPDM washer has to be taken away from screw (501-1).

Code	Description
<input checked="" type="checkbox"/> 201	Wall panels TENAX W H
<input checked="" type="checkbox"/> 202	Roof panels TENAX TR
<input type="checkbox"/> 302	Gutter bearing profile, UD
<input type="checkbox"/> 327	Corner flashing, LF
<input type="checkbox"/> 361	Eave trim, MF
<input type="checkbox"/> 362	Eave trim, EF
<input type="checkbox"/> 363	Eave flashing for trapezoidal profile edge, NF
<input type="checkbox"/> 401-1	Sealing tape, one-side self adhering, thickness t=3 mm, width b=30 mm
<input type="checkbox"/> 401-2	Sealing tape, one-side self adhering, thickness t=3 mm, width b=9 mm
<input type="checkbox"/> 401-5	Acrylic sealing tape, b=60mm
<input type="checkbox"/> 421	Mineral wool, in strips
<input type="checkbox"/> 431	Installation foam
<input type="checkbox"/> 521-1	Screws for fixing of flashings to panels (c/c ≤ 500 mm)

- Included in the supply
- (a) For steel structures with web thickness  $t > 12$  mm predrill holes for screw (501) fixing
- (b) The given support width can vary depending on wind loads

Copyright of TENAXPANEL Ltd. allowed to be used only for installation of products manufactured by TENAXPANEL Ltd. Designer is responsible for any changes in details!



"TENAXPANEL" Ltd  
Spodribas street 1, Dobeles, LV-3701, Latvia  
Phone: +371 63720957

Detail number:  
SP-485-1-en

Detail name:

TENAX W H. Vertical assembly.  
Eave connection.

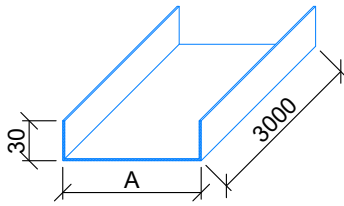
Detail type:  
Roof

Scale:  
1:5

Date:  
January 2019

Copyright of TENAXPANEL Ltd. allowed to be used only for installation of products manufactured by TENAXPANEL Ltd. Designer is responsible for any changes in details!

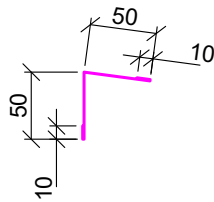
Code	Description
302	Bearing profile, UD



Steel sheet thickness 1,5; 2,0 mm  
Coating: Zinc Z275  
Length: 3,0 m

Panel thickness	50	80	100	120	150	175	200	240	300
A*	54	84	104	124	154	179	204	244	304
Steel sheet width	174	204	224	244	274	299	324	364	424

Code	Description
327	Corner flashing, LF

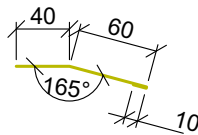


Steel sheet thickness 0,5; 0,6 mm  
Coating: the same as panel coating  
Length: 2,4 to 3,0 m

Steel sheet width 122

\* Other angles possible by individual request

Code	Description
361	Eave trim, MF

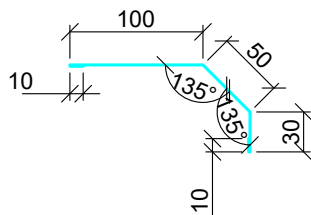


Steel sheet thickness 0,5; 0,6 mm  
Coating: the same as panel coating  
Length: 2,4 to 3,0 m

Steel sheet width 111

\* Other widths possible by individual request

Code	Description
362	Eave flashing for trapezoidal profile edge, EF

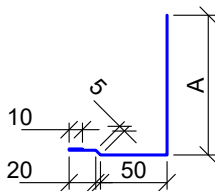


Steel sheet thickness 0,5; 0,6 mm  
Coating: the same as panel coating  
Length: 2,4 to 3,0 m

Steel sheet width 202

\* Other widths possible by individual request

Code	Description
363	Eave flashing for trapezoidal profile edge, NF



Steel sheet thickness 0,5; 0,6 mm  
Coating: the same as panel coating  
Length: 2,4 to 3,0 m

Panel thickness	50	80	100	120	150	175	200	240	300
A	55	85	105	125	155	175	205	245	305
Steel sheet width	141	171	191	211	241	266	291	331	391



"TENAXPANEL" Ltd  
Spodribas street 1, Dobeles, LV-3701, Latvia  
Phone: +371 63720957

Detail number:  
SP-485-1-en

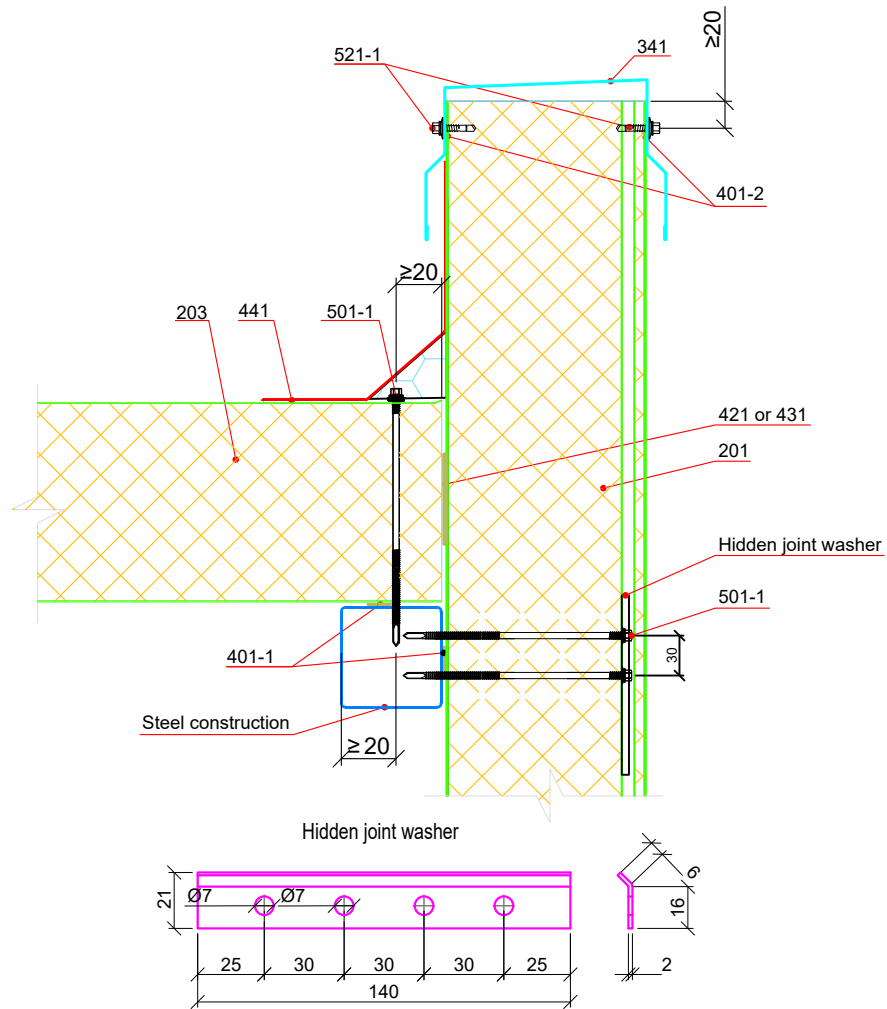
Detail name:

TENAX W H. Vertical assembly.  
Eave connection (Flashings).

Detail type:  
Horizontal installation

Scale:  
1:5

Date:  
January 2019



NOTE! EPDM washer has to be taken away from screw (501-1).

Code	Description
<input checked="" type="checkbox"/> 201	Wall panels TENAX W H
<input checked="" type="checkbox"/> 203	TENAX TR; TENAX R
<input type="checkbox"/> 341	Parapet cap, RF
<input type="checkbox"/> 401-1	Sealing tape, one-side self adhering, thickness t=3 mm, width b=30 mm
<input type="checkbox"/> 401-2	Sealing tape, one-side self adhering, thickness t=3 mm, width b=9 mm
<input type="checkbox"/> 411-1	Construction sealant (neutral) (Outside neutral silicone/inside butil sealant, white color)
<input type="checkbox"/> 421	Mineral wool, in strips
<input type="checkbox"/> 431	Installation foam
<input type="checkbox"/> 441	Membrane roofing material
<input type="checkbox"/> 501-1	Screws for panel fastening, self-drilling, for steel structures with web thickness up to 12 mm (c/c ≤ 500 mm)
<input type="checkbox"/> 521-1	Screws for flashing fixing to panels, self-drilling (c/c ≤ 500 mm)

- Included in the supply
- (a) For steel structures with web thickness  $t > 12$  mm predrill holes for screw (501) fixing
- (b) The given support width can vary depending on wind loads



"TENAXPANEL" Ltd  
Spodriibas street 1, Dobeles, LV-3701, Latvia  
Phone: +371 63720957

Detail number:  
SP-486-1-en

Detail name:

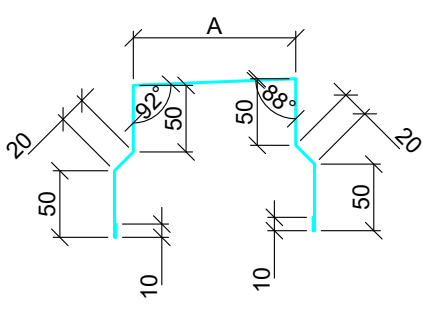
TENAX W H. Vertical assembly.  
Wall parapet.

Detail type:  
Roof

Scale:  
1:5

Date:  
January 2019

Code	Description
341	Parapet cap, RF





Steel sheet thickness 0,5; 0,6 mm  
 Coating: the same as panel coating  
 Length: 2,4 m

Panel thickness	50	80	100	120	150	175	200	240	300
A	52	82	102	122	152	177	202	242	302
Steel sheet width	313	345	366	386	418	443	471	511	576

\* Other widths possible by individual request

Copyright of TENAXPANEL Ltd. allowed to be used only for installation of products manufactured by TENAXPANEL Ltd. Designer is responsible for any changes in details!

 	"TENAXPANEL" Ltd Spodribas street 1, Dobele, LV-3701, Latvia Phone.:+371 63720957	Detail name: TENAX W H. Vertical assembly. Wall parapet (Flashings).		
	Detail number: SP-486-1-en	Detail type: Roof	Scale: 1:5	Date: January 2019